

**SEA&LAND ELECTRONIC CORP.**

13F., No.120-10,  
 Sec. 3, Zhongshan Rd., Zhonghe Dist., New Taipei City 235,  
 Taiwan

Tel.: 886-2-8221-2567  
 Fax.: 886-2-2225-7268

**Techfuse**  
**PTC Devices**  
 Resettable Fuse

PRODUCT: R16-250  
 DOCUMENT: QR0429  
 ECN. NO.:  
 REV LETTER: A  
 REV DATE: 2014/12/30  
 PAGE NO.: 1 of 1

## Specification Sheet

Insulating Material:

Meets UL94 V-0 Requirements

Lead-Free, RoHS Compliant

Lead Material:

Tin Plated Copper-Clad Steel, 24 AWG (0.51mm/0.020" Dia.)

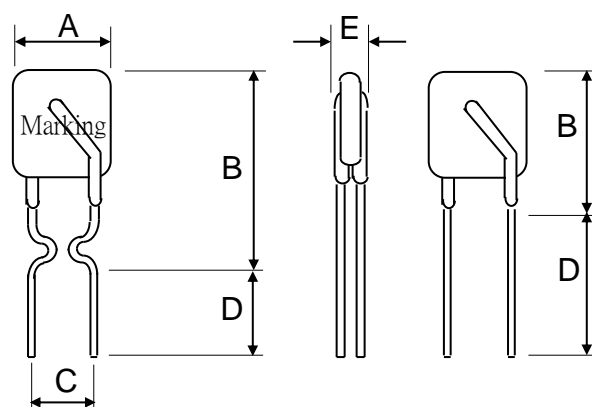
Marking:

└── Sea&Land Logo  
 T

R16 - Radial Type 16V

250 - Hold Current

XXXXY- Date Code & Factory Code



**TABLE I. DIMENSIONS:**

	A	B	C	D	E
	Max.	Max.	Typ.	Min.	Max.
mm	10.40	14.30	5.10	7.60	3.0

**TABLE II. PERFORMANCE RATINGS:**

Model Number	$V_{max}$ (Vdc)	$I_{max}$ (A)	$I_{hold}$ @25°C (A)	$I_{trip}$ @25°C (A)	$P_d$ Max. (W)	Maximum Time		Resistance	
						To Trip		Ri min (Ω)	R1 max (Ω)
						Current (A)	Time (Sec)		
R16-250	16	100	2.50	5.00	1.20	12.50	5.0	0.020	0.060

### Packing

R16	250	Model	Reel Q'ty	Bag Q'ty
Radial type Vmax=16 V	Hold Current 2.5	R16-250	1500	500

Recognition: UL Pending.