

SEA&LAND ELECTRONIC CORP.

13F.,No.120-10,
 Sec.3,Zhongshan Rd.,Zhonghe City,Taipei County,
 Taiwan, R.O.C.
 Tel.: 886-2-8221-2567
 Fax.: 886-2-2225-7268

Techfuse
PTC Devices
 Resettable Fuse

PRODUCT: R60-075
 DOCUMENT: QR0429
 ECN. NO.:
 REV LETTER:
 REV DATE: 2010/7/1
 PAGE NO.: 1 of 1

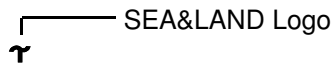
Specification Sheet

Insulating Material:
 meets UL94 V-0 Requirements

Lead-free,RoHS compliant

Lead Material:
 Tin-plated copper, 24AWG (0.020"Dia)

Marking:



- R60 - Radial type 60V
- 075 - hold current
- XXXX - Date code & Factory code

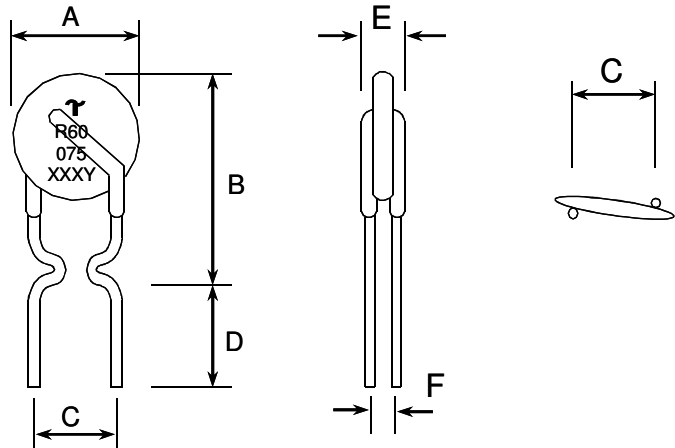


TABLE I. DIMENSIONS:

	A	B	C	D	E	F
	MAX	MAX	TYP	MIN	MAX	MAX
mm	10.4	15.2	5.1	7.6	3.1	1.5
in	0.41	0.60	0.20	0.30	0.12	0.06

TABLE II. PERFORMANCE RATINGS:

Model	V _{max} (Vdc)	I _{max} (A)	I _{hold} @25°C (A)	I _{trip} @25°C (A)	P _d Typ. (W)	Maximum Time To Trip		Resistance		
						Current (A)	Time (Sec)	R _{imin} (Ω)	R _{imax} (Ω)	R _{1max} (Ω)
R60-075	60	40	0.75	1.50	0.92	3.75	6.3	0.20	0.40	0.60

Order information

Packing

R60	075	K or S	R or U	Model	Reel Q'ty	Bag Q'ty
Radial type 60 V	Hold Current (A)	K=Kink leads S=Straight leads	R= Tape & Reel U= Bulk packaged	R60-075	3000	500

Tape & Reel packaging per EIA468-B star

Recognitio UL / TÜV, appr UL FILE NO. E201504/E319079; TÜV FILE NO.43486

