

SEA&LAND ELECTRONIC CORP.

13F.,No.120-10,
 Sec.3,Zhongshan Rd.,Zhonghe City,Taipei County,
 Taiwan, R.O.C.
 Tel.: 886-2-8221-2567
 Fax.: 886-2-2225-7268

Techfuse
PTC Devices
 Resettable Fuse

PRODUCT: R60-050
 DOCUMENT: QR0429
 ECN. NO.:
 REV LETTER:
 REV DATE: 2014/12/30
 PAGE NO.: 1 of 1

Specification Sheet

Insulating Material:
 meets UL94 V-0 Requirements

Lead Material:
 Tin/lead-plated copper, ϕ 0.6mm.

Marking: N/A

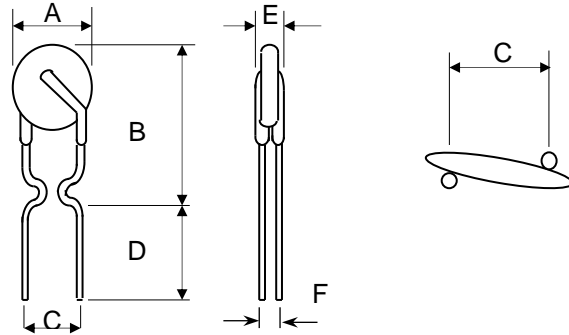


TABLE I. DIMENSIONS:

	A		B		C	D		E	F	
	MIN	MAX	MIN	MAX	TYP	MIN	MAX	MAX	MIN	MAX
mm	6.8	7.8	11.5	13.5	5.1	7.5	12.0	3.1	0.6	1.6
in	0.27	0.31	0.45	0.53	0.20	0.30	0.47	0.12	0.02	0.06

TABLE II. PERFORMANCE RATINGS:

I HOLD RATED CURRENT	CURRENT RATINGS				TIME TO TRIP	REFERENCE RESISTANCE	ONE HOUR POST-TRIP RESISTANCE	TRIPPED- STATE POWER DISSIPATION
	AMPS AT 25°C HOLD	AMPS AT 25°C TRIP	AMPS AT 60°C HOLD	AMPS AT 60°C TRIP	SECONDS 25°C, 2.50A MAX	OHMS AT 25°C MIN MAX	OHMS AT 25°C MAX	WATTS AT 25°C, 60V TYP
0.50	0.50	1.00	0.32	0.64	4.0	0.52 0.75	1.17	0.77

Order information

Packing

R60	050	K or S	R or U	Model	Reel Q'ty	Bag Q'ty
Radial type 60 V	Hold Current 0.50(A)	K=Kink leads S=Straight leads	R= Tape & Reel U= Bulk packaged	0.5	3000	500

Tape & Reel packaging per EIA468-B stanc

Recognition: UL / TÜV, approved. UL FILE NO. E201504/E319079; TUV FILE R 50274672

