

**SEA&LAND ELECTRONIC CORP.**

13F.,No.120-10,  
 Sec.3,Zhongshan Rd.,Zhonghe City,Taipei County,  
 Taiwan, R.O.C.  
 Tel.: 886-2-8221-2567  
 Fax.: 886-2-2225-7268

**Techfuse**  
**PTC Devices**  
 Resettable Fuse

PRODUCT: R60-375  
 DOCUMENT: QR0429  
 ECN. NO.:  
 REV LETTER:  
 REV DATE: 2010/7/1  
 PAGE NO.: 1 of 1

# Specification Sheet

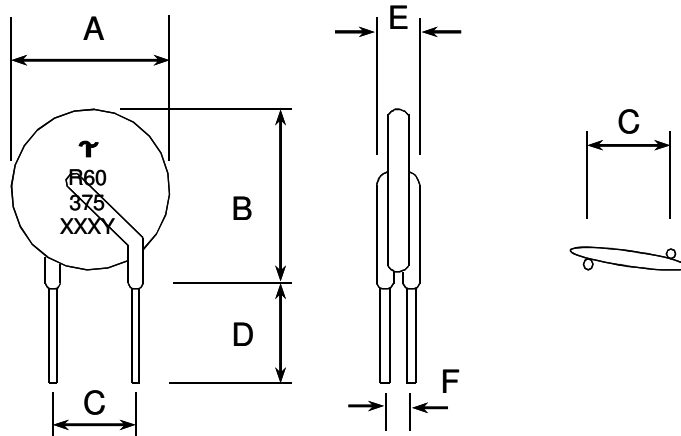
Insulating Material:  
 meets UL94 V-0 Requirements

Lead-free,RoHS compliant

Lead Material:  
 Tin plated copper, 20AWG (0.032"Dia)

Marking:

- SEA&LAND Logo
- τ**
- R60 - Radial type 60V
- 375 - hold current
- XXX Y - Date code & Factory code



**TABLE I. DIMENSIONS:**

|    | A    | B    | C    | D    | E    | F    |
|----|------|------|------|------|------|------|
|    | MAX  | MAX  | TYP  | MIN  | MAX  | MAX  |
| mm | 28.5 | 33.5 | 10.2 | 7.6  | 3.1  | 2.0  |
| in | 1.12 | 1.32 | 0.40 | 0.30 | 0.12 | 0.08 |

**TABLE II. PERFORMANCE RATINGS:**

| Model   | V <sub>max</sub><br>(Vdc) | I <sub>max</sub><br>(A) | I <sub>hold</sub><br>@25°C<br>(A) | I <sub>trip</sub><br>@25°C<br>(A) | P <sub>d</sub><br>Typ.<br>(W) | Maximum Time<br>To Trip |               | Resistance               |                          |                          |
|---------|---------------------------|-------------------------|-----------------------------------|-----------------------------------|-------------------------------|-------------------------|---------------|--------------------------|--------------------------|--------------------------|
|         |                           |                         |                                   |                                   |                               | Current<br>(A)          | Time<br>(Sec) | R <sub>imin</sub><br>(Ω) | R <sub>imax</sub><br>(Ω) | R <sub>1max</sub><br>(Ω) |
| R60-375 | 60                        | 40                      | 3.75                              | 7.50                              | 3.20                          | 18.75                   | 24.0          | 0.02                     | 0.05                     | 0.08                     |

**Order information**

**Packing**

| R60                 | 375                    | K or S                              | R or U                                   | Model   | Reel Q'ty | Bag Q'ty |
|---------------------|------------------------|-------------------------------------|--|---------|-----------|----------|
| Radial type<br>60 V | Hold<br>Current<br>(A) | K=Kink leads<br>S=Straight<br>leads | R= Tape &<br>Reel<br>U= Bulk<br>packaged | R60-375 | -         | 500      |

Tape & Reel packaging per EIA468-B star

Recognitio UL / TÜV, appr UL FILE NO. E201504/E319079; TÜV FILE NO.43486

