

**SEA&LAND ELECTRONIC CORP.**

13F.,No.120-10,  
 Sec.3,Zhongshan Rd.,Zhonghe City,Taipei County,  
 Taiwan, R.O.C.  
 Tel.: 886-2-8221-2567  
 Fax.: 886-2-2225-7268

**Techfuse**  
**PTC Devices**  
 Resettable Fuse

PRODUCT: R60-110  
 DOCUMENT: QR0429  
 ECN. NO.:  
 REV LETTER:  
 REV DATE: 2010/7/1  
 PAGE NO.: 1 of 1

## Specification Sheet

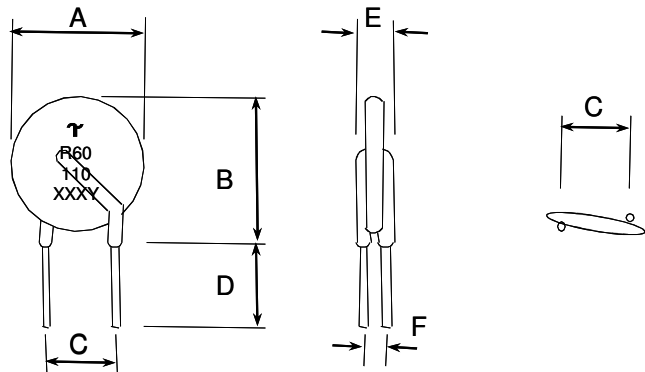
Insulating Material:  
 meets UL94 V-0 Requirements

Lead-free,RoHS compliant

Lead Material:  
 Tin plated copper, 20AWG (0.032"Dia)

**Marking:**

- Sea&land Logo
- r** — Radial type 60V
- R60** — Radial type 60V
- 110** — hold current
- XXXXY** — Date code & Factory code



**TABLE I. DIMENSIONS:**

	A MAX	B MAX	C TYP	D MIN	E MAX	F MAX
mm	13.0	18.0	5.1	7.6	3.1	1.2
in	0.51	0.71	0.20	0.30	0.12	0.05

**TABLE II. PERFORMANCE RATINGS:**

Model	V <sub>max</sub> (Vdc)	I <sub>max</sub> (A)	I <sub>hold</sub> @25°C (A)	I <sub>trip</sub> @25°C (A)	P <sub>d</sub> Typ. (W)	Maximum Time To Trip		Resistance		
						Current (A)	Time (Sec)	R <sub>imin</sub> (Ω)	R <sub>imax</sub> (Ω)	R <sub>1max</sub> (Ω)
R60-110	60	40	1.10	2.20	1.50	5.50	8.2	0.13	0.25	0.38

**Order information**

**Packing**

R60	110	K or S	R or U	Model	Reel Q'ty	Bag Q'ty
Radial type 60 V	Hold Current (A)	K=Kink leads  S=Straight leads	R= Tape & Reel  U= Bulk packaged	R60-110	1500	500

Tape & Reel packaging per EIA468-B standard.

Recognition UL / TÜV, approved UL FILE NO. E201504/E319079; TÜV FILE NO.43486

